

Features

Convertible to top or rear flue vent

Hi-Lo control to adjust flame level

DIVINE
SINGLE SIDED

SPECIFICATIONS AND FEATURES

**H38
TRADITIONAL**

**HL38
CONTEMPORARY**

**HW38-2 DELUXE
WILDFIRE**

**H38, HL38,
HW38 Wildfire**

Single sided
Direct vent

QUICK DIMENSIONS

H*38	UNIT FRAM.	
F.WIDTH	39 ⁵ / ₁₆	37 ³ / ₄
B.WIDTH	24 ⁷ / ₁₆	37 ³ / ₄
HEIGHT	38 ⁵ / ₁₆	42
DEPTH	18 ¹ / ₄	21 ¹ / ₈
VIEWING	35 ¹ / ₄ x 26 ⁷ / ₁₆	

Standard

Traditional burner and logset

Manual Hi-Lo flame control

Options

Traditional liners

River rocks [NG only]

Fans with speed control

Surrounds in satin black or stainless steel

Multi-function remote control

Standard

Contemporary burner with Sage firebeads

Manual Hi-Lo flame control

Options

Speckled stones, glass media

Fans with speed control

Surrounds in satin black or stainless steel

Multi-function remote control

Standard

Wildfire burner and logset

Herringbone brick liner

Wrought iron grate

Multi-function remote control

Battery backup

Remote Hi-Lo flame control

Options

Fans with speed control

Wall remote

Black porcelain liner

Surrounds in satin black or stainless steel

BTU LISTING

H38DF** / 26,000
HL38DF** / 25,000
HW38DFN*-2 / 34,000
HW38DFL*-2 / 30,000

EFFICIENCY

H38DFN / FE 55
H38DFL / FE 55
H38DFNI / FE 56

H38DFLI / FE 56
HL38DFN / FE 55
HL38DFL / FE 54

HL38DFNI / FE 56
HL38DFLI / FE 55

HW38DFNI-2 / FE 64
HW38DFLI-2 / FE 65

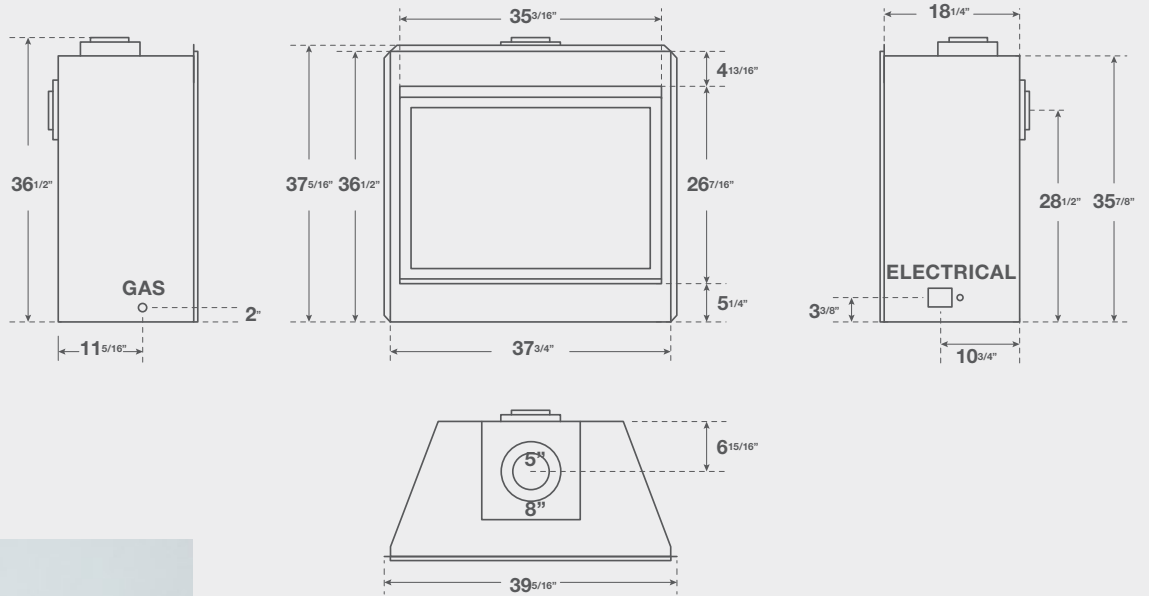


MONTIGO / STAINLESS SURROUND



MONTIGO / SATIN BLACK SURROUND

H38 DIMENSIONS



MONTIGO / DIVINE / HL38DFNI / SAGE FIREBEADS



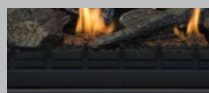
MONTIGO / DIVINE / H38 / TRADITIONAL LOGSET



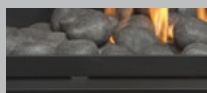
REMOTE^A
RX100**



WALL REMOTE
REC1493

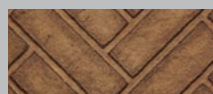


IRON GRATE[†]
HWIG38



RIVER ROCK[†]
RBHR38R

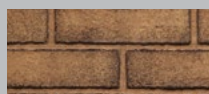
[†]Optional for H38 only
[‡]Not available for HW38
[§]Optional for HW38 only
[^]Standard on HW38DF*1-2



HERRING BONE^{†^}
HBK38H



COLONIAL[†]
HBK38SHC



HERITAGE[†]
HBK38SHR



BLACK GLASS[†]
RGPH38



BLACK PORCELAIN[§]
PPHW38

OPTIONS & FEATURES

LINERS

Unit Specifications

Icon Legend

AVAILABLE +

NOT AVAILABLE -

DEDICATED ◊

STANDARD ○

	BTU Natural Gas	BTU Liquid Propane	Venting	Clearance Top - Rear vent	Clearance Top - Top vent	Clearance Sides	Clearance Back	Clearance Floor	Front viewing area	Front glass type	Standard media	Invisimesh screen	Powervent	Remote control	Fans	Uplighting	Downlighting
H34DF*	18,000	18,000	4"/7"	9	17½	1	2	0	31⅜x22¾	Tempered	Traditional	○	+	○	○	-	-
HLB34DF*	18,000	18,000	4"/7"	11	17½	1	2	0	31⅜x22¾	Tempered	HW1082	○	+	+	+	-	-
HLB34DF*-2	18,000	18,000	4"/7"	11	17½	1	2	0	31⅜x22¾	Tempered	Speckled	○	+	○	○	-	-
H38DF*	26,000	26,000	5"/8"	9	17½	1	2	0	35¼x26⅜	Tempered	Traditional	○	+	+	+	-	-
HL38DF	26,000	26,000	5"/8"	9	17½	1	2	0	35¼x26⅜	Tempered	HW1082	○	+	+	+	-	-
HW38DF	34,000	30,000	5"/8"	9	17½	1	3	0	35¼x26⅜	Neoceramic	Wildfire	○	+	○	+	-	-
H42DF*	34,000	32,000	5"/8"	9	17½	1	1	0	39⅞x30⅞	Tempered	Traditional	○	+	+	+	-	-
HL42DF	34,000	32,000	5"/8"	9	17½	1	1	0	39⅞x30⅞	Tempered	HW1082	○	+	+	+	-	-
HW42DF	34,000	32,000	5"/8"	9	17½	1	1	0	39⅞x30⅞	Tempered	Wildfire	○	+	○	+	-	-
H36PV	55,000	N/A	5"/8"	9	17½	1	1	0	38½x31½	Tempered	Traditional	○	◊	+	-	-	-

DIVINE FRAMING

	A	B	C	D	E	F
H34	39	20	33⅞	40	56¼	0
H36	50	24	46	61¼	81	1
H38	42	21⅞	37¾	43⅞	62	0
H42	46½	21⅞	42	48⅞	68	0

See instruction manual for detailed instructions

Header on edge not required if framing meets clearance to venting

FRAMING DIMENSIONS

