



DIVINE

SINGLE SIDED

SPECIFICATIONS AND FEATURES

H36PV

Single sided
Power vented

H36PV TRADITIONAL

Standard

Flush floor burner and logset

Herringbone liner

Wrought iron grate

Manual Hi-Lo flame control

Options

Remote control

H36PV POWER VENTS

Wall Mount

EDVWSPV58

Flush Wall Mount

PVHIN58-300

Roof Mount

PVEX58-200

QUICK DIMENSIONS

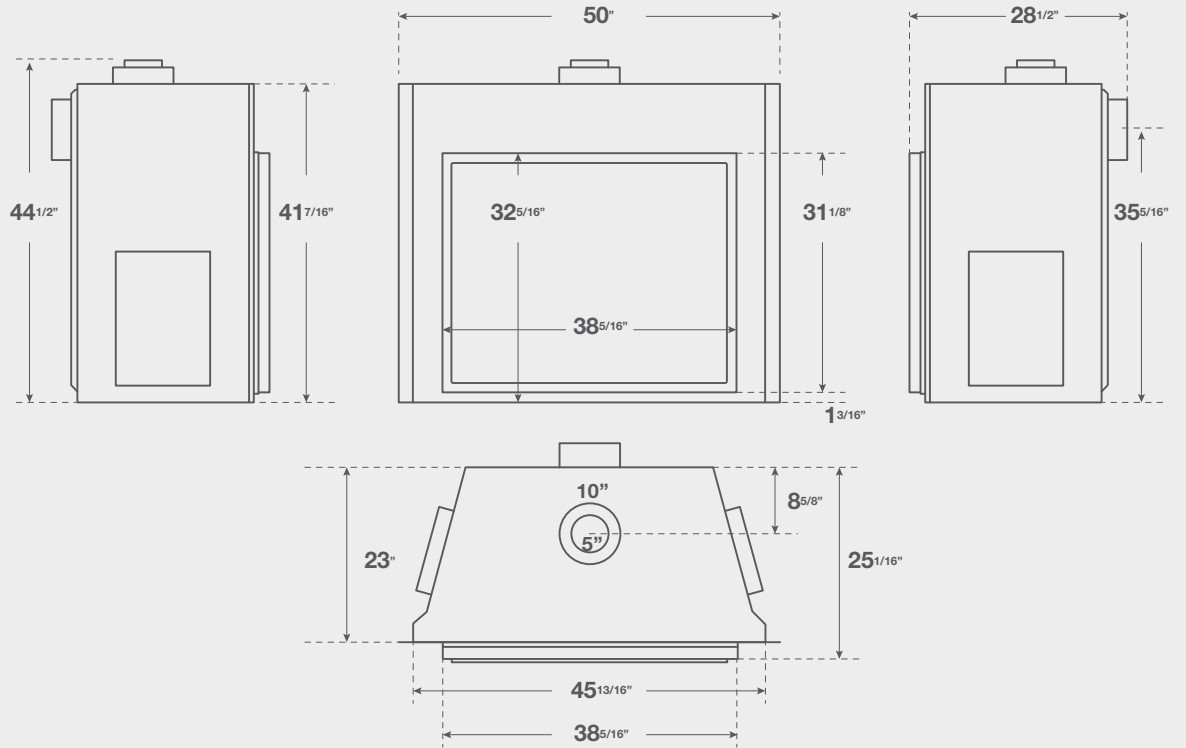
H36	UNIT FRAM.	
F.WIDTH	50	46
B.WIDTH	32 ¹ / ₄	46
HEIGHT	41 ⁷ / ₁₆	50
DEPTH	25 ¹ / ₁₆	24
VIEWING	38 ¹ / ₂ × 31 ¹ / ₂	

BTU LISTING

H36PVNI / 55,000



H36 DIMENSIONS



MONTIGO / DIVINE / H36 / TRADITIONAL LOGSET



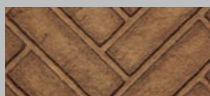
Features

Clean face, flush to the floor design

Built in power vent control box



REMOTE ON/OFF
RXM5010



HERRING BONE^Δ



IRON GRATE^Δ

^ΔStandard on H36PVNI

Unit Specifications

Icon Legend

AVAILABLE +

NOT AVAILABLE -

DEDICATED ◊

STANDARD ○

	BTU Natural Gas	BTU Liquid Propane	Venting	Clearance Top - Rear vent	Clearance Top - Top vent	Clearance Sides	Clearance Back	Clearance Floor	Front viewing area	Front glass type	Standard media	Invisimesh screen	Powervent	Remote control	Fans	Uplighting	Downlighting
H34DF*	18,000	18,000	4"/7"	9	17½	1	2	0	31⅜x22¾	Tempered	Traditional	○	+	○	○	-	-
HLB34DF*	18,000	18,000	4"/7"	11	17½	1	2	0	31⅜x22¾	Tempered	HW1082	○	+	+	+	-	-
HLB34DF*-2	18,000	18,000	4"/7"	11	17½	1	2	0	31⅜x22¾	Tempered	Speckled	○	+	○	○	-	-
H38DF*	26,000	26,000	5"/8"	9	17½	1	2	0	35¼x26¾	Tempered	Traditional	○	+	+	+	-	-
HL38DF	26,000	26,000	5"/8"	9	17½	1	2	0	35¼x26¾	Tempered	HW1082	○	+	+	+	-	-
HW38DF	34,000	30,000	5"/8"	9	17½	1	3	0	35¼x26¾	Neoceramic	Wildfire	○	+	○	+	-	-
H42DF*	34,000	32,000	5"/8"	9	17½	1	1	0	39⅞x30⅞	Tempered	Traditional	○	+	+	+	-	-
HL42DF	34,000	32,000	5"/8"	9	17½	1	1	0	39⅞x30⅞	Tempered	HW1082	○	+	+	+	-	-
HW42DF	34,000	32,000	5"/8"	9	17½	1	1	0	39⅞x30⅞	Tempered	Wildfire	○	+	○	+	-	-
H36PV	55,000	N/A	5"/8"	9	17½	1	1	0	38½x31½	Tempered	Traditional	○	◊	+	-	-	-

DIVINE FRAMING

	A	B	C	D	E	F
H34	39	20	33⅞	40	56¼	0
H36	50	24	46	61¼	81	1
H38	42	21⅞	37¾	43⅞	62	0
H42	46½	21⅞	42	48⅞	68	0

See instruction manual for detailed instructions

Header on edge not required if framing meets clearance to venting

FRAMING DIMENSIONS

