



DIVINE

SINGLE SIDED

SPECIFICATIONS AND FEATURES

H34, HLB34, HLB34 Deluxe

Single sided
Direct vent

QUICK DIMENSIONS

H*34	UNIT	FRAM.
F.WIDTH	35 ³ / ₈	33 ³ / ₈
B.WIDTH	35 ³ / ₈	33 ³ / ₈
HEIGHT	35 ¹ / ₈	39
DEPTH	19 ¹ / ₄	20
VIEWING	31 ³ / ₈ × 22 ³ / ₄	

H34 TRADITIONAL

Standard

Traditional burner and logset

Manual Hi-Lo flame control

Options

Traditional liners

River rock [NG only]

Fans with speed control

Surrounds in satin black or stainless steel

Remote control

HLB34 CONTEMPORARY

Standard

Concealed burner with Sage firebeads

Manual Hi-Lo flame control

Options

Speckled stones, driftwood, glass media

Multi-function remote control

Remote controlled fans

Black reflective glass

Surrounds in satin black or stainless steel

HLB34-2 DELUXE CONTEMPORARY

Standard

Concealed burner

Speckled stones, driftwood

Multi-function remote control

Remote controlled fans

Remote Hi-Lo flame control

Black reflective glass

Options

Wall remote

Surrounds in satin black or stainless steel

BTU LISTING

H34DF** / 18,000
HLB34DF** / 18,000
HLB34DF**-2 / 18,000

EFFICIENCY

H34DFN / FE 56.5
H34DFL / FE 58

H34DFNI / FE 58
H34DFLI / FE 58

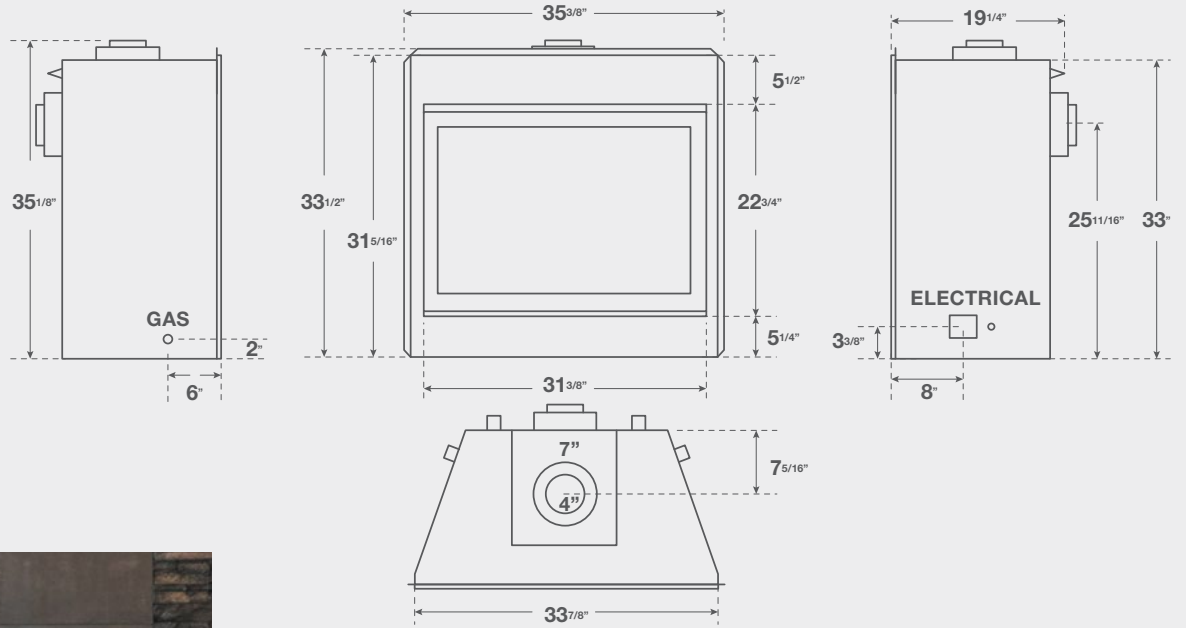
HLB34DFNI / FE 50
HLB34DFLI / FE 50

HLB34DFNI-2 / FE 50
HLB34DFLI-2 / FE 50

MONTIGO / STAINLESS SURROUND

MONTIGO / SATIN BLACK SURROUND

H34 DIMENSIONS



MONTIGO / DIVINE / HLB34DFNI-2 / DRIFTWOOD SPECKLED STONES



MONTIGO / DIVINE / H34DFN / TRADITIONAL LOGSET

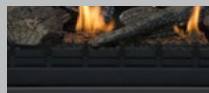
OPTIONS & FEATURES



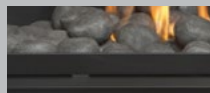
REMOTE^Δ
RX200**



WALL REMOTE
REC1493



IRON GRATE[†]
HWIG34



RIVER ROCK[†]
RBHR34R

[†] Optional for H34 only
[‡] Optional for HLB34 only
^Δ Standard on HLB34DF[†]1-2

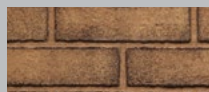
LINERS



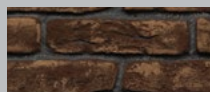
HERRING BONE[†]
HBK34H



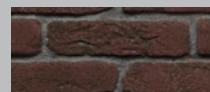
COLONIAL[†]
HBK34SHC



HERITAGE[†]
HBK34SHR



RUSTIC BROWN[†]
HBK34SRB



RUSTIC RED[†]
HBK34SRR



BLACK GLASS^{†Δ}
RGP34

Unit Specifications

Icon Legend

AVAILABLE +

NOT AVAILABLE -

DEDICATED ◊

STANDARD ○

	BTU Natural Gas	BTU Liquid Propane	Venting	Clearance Top - Rear vent	Clearance Top - Top vent	Clearance Sides	Clearance Back	Clearance Floor	Front viewing area	Front glass type	Standard media	Invisimesh screen	Powervent	Remote control	Fans	Uplighting	Downlighting
H34DF*	18,000	18,000	4"/7"	9	17½	1	2	0	31⅜x22¾	Tempered	Traditional	○	+	○	○	-	-
HLB34DF*	18,000	18,000	4"/7"	11	17½	1	2	0	31⅜x22¾	Tempered	HW1082	○	+	+	+	-	-
HLB34DF*-2	18,000	18,000	4"/7"	11	17½	1	2	0	31⅜x22¾	Tempered	Speckled	○	+	○	○	-	-
H38DF*	26,000	26,000	5"/8"	9	17½	1	2	0	35¼x26¾	Tempered	Traditional	○	+	+	+	-	-
HL38DF	26,000	26,000	5"/8"	9	17½	1	2	0	35¼x26¾	Tempered	HW1082	○	+	+	+	-	-
HW38DF	34,000	30,000	5"/8"	9	17½	1	3	0	35¼x26¾	Neoceramic	Wildfire	○	+	○	+	-	-
H42DF*	34,000	32,000	5"/8"	9	17½	1	1	0	39⅞x30⅞	Tempered	Traditional	○	+	+	+	-	-
HL42DF	34,000	32,000	5"/8"	9	17½	1	1	0	39⅞x30⅞	Tempered	HW1082	○	+	+	+	-	-
HW42DF	34,000	32,000	5"/8"	9	17½	1	1	0	39⅞x30⅞	Tempered	Wildfire	○	+	○	+	-	-
H36PV	55,000	N/A	5"/8"	9	17½	1	1	0	38½x31½	Tempered	Traditional	○	◊	+	-	-	-

DIVINE FRAMING

	A	B	C	D	E	F
H34	39	20	33⅞	40	56¼	0
H36	50	24	46	61¼	81	1
H38	42	21⅞	37¾	43⅞	62	0
H42	46½	21⅞	42	48⅞	68	0

See instruction manual for detailed instructions

Header on edge not required if framing meets clearance to venting

FRAMING DIMENSIONS

